

TYPE 3R BOXES AND ENCLOSURES



Hoffman's Type 3R outdoor enclosures protect wiring and electrical equipment from rain, sleet, and snow. They have a superior corrosion-resistant finish that exceeds NEMA, CSA, and UL requirements.

Many sizes of the hinged enclosures can be used with the optional labor-saving, perforated panels which provide fast and easy component mounting because pre-drilling is not required.



Free-Standing Pad-Mount Type 3R Enclosures	26
Hinged Cover Lift-Off Type 3R Enclosures	24
Hinged Cover Type 3R Medium Enclosures	22
Hinged Cover Type 3R Small Enclosures	20
Screw Cover Gasketed Boxes	30
Screw Cover Type 3R Enclosures	18

Screw Cover Type 3R Enclosures



Application

Designed for use as a wiring box and junction box. Enclosure provides protection in outdoor installations against rain, sleet, and snow or indoors against dripping water.

Features

- Drip-shield top and seam-free sides, front, and back
- Slip-on removable cover fastened with plated steel screws along bottom edge
- Door handles on all 12 gauge enclosures and selected 14 gauge enclosures (see Table)

Construction

- 16, 14, or 12 gauge galvanized steel
- Embossed mounting holes on back of enclosure
- Knockouts in bottom of 16 and 14 gauge enclosures
- Provision for padlocking
- No gasketing

Finish

ANSI 61 gray polyester powder paint finish inside and out over phosphatized surfaces.

Industry Standards

UL 50, File No. E27525: Type 3R
NEMA/EEMAC Type 3R
cUL CSA C22.2 No. 94, File No. E27525: Type 3R
IEC 60529, IP32

Accessories

- Corrosion Inhibitors
- Electric Heater
- Grounding Device
- Mounting Bracket Kit (see p. 24)
- Touch-Up Paint (ATPPY61)

Standard Sizes Screw Cover Type 3R Enclosures

Catalog Number		Body Style	Enclosure Size		Mounting				Knockout Pattern		
With Knockouts	Without Knockouts		A x B x C	D	H	J					
			inch	mm	inch	mm	inch	mm			
A4R44	A4R44NK	A	4.00 x 4.00 x 4.00	102 x 102 x 102	—	—	1.88	48	2.00	51	B-C
A6R44	—	A	6.00 x 4.00 x 4.00	152 x 102 x 102	—	—	1.88	48	1.06	27	B-C
A12R44	A12R44NK	A	12.00 x 4.00 x 4.00	305 x 102 x 102	—	—	1.88	48	1.06	27	B-C
A6R64	A6R64NK	A	6.00 x 6.00 x 4.00	152 x 152 x 102	—	—	2.25	57	1.06	27	B-C-D
A8R64	A8R64NK	A	8.00 x 6.00 x 4.00	203 x 152 x 102	—	—	2.25	57	1.06	27	B-C-D
A8R84	A8R84NK	A	8.00 x 8.00 x 4.00	203 x 203 x 102	—	—	2.25	57	1.06	27	F-G-H-I
A10R84	A10R84NK	A	10.00 x 8.00 x 4.00	254 x 203 x 102	—	—	2.25	57	1.06	27	F-G-H-I
A12R84	A12R84NK	A	12.00 x 8.00 x 4.00	305 x 203 x 102	—	—	2.25	57	1.06	27	F-G-H-I
A10R104	A10R104NK	A	10.00 x 10.00 x 4.00	254 x 254 x 102	—	—	2.25	57	1.06	27	C-D-E-F-G
A12R104	A12R104NK	A	12.00 x 10.00 x 4.00	305 x 254 x 102	—	—	2.25	57	1.06	27	C-D-E-F-G
A12R124	A12R124NK	A	12.00 x 12.00 x 4.00	305 x 305 x 102	—	—	2.25	57	1.06	27	C-D-E-F-G
A18R124	—	A	18.00 x 12.00 x 4.00	457 x 305 x 102	—	—	2.25	57	1.06	27	C-D-E-F-G
A18R184	A18R184NK	B	18.00 x 18.00 x 4.00	457 x 457 x 102	—	—	13.00	330	1.12	28	A-B-C-D-E-F-G-H-I
A6R66	A6R66NK	A	6.00 x 6.00 x 6.00	152 x 152 x 152	—	—	2.25	57	1.06	27	B-C-D
—	A18R66NK	A	18.00 x 6.00 x 6.00	457 x 152 x 152	—	—	2.25	57	1.06	27	B-C-D
A8R86	A8R86NK	A	8.00 x 8.00 x 6.00	203 x 203 x 152	—	—	2.25	57	1.06	27	F-G-H-I
A10R86	A10R86NK	A	10.00 x 8.00 x 6.00	254 x 203 x 152	—	—	2.25	57	1.06	27	F-G-H-I
A10R106	A10R106NK	A	10.00 x 10.00 x 6.00	254 x 254 x 152	—	—	2.25	57	1.06	27	C-D-E-F-G
A12R86	—	A	12.00 x 8.00 x 6.00	305 x 203 x 152	—	—	2.25	57	1.06	27	F-G-H-I
A12R106	A12R106NK	A	12.00 x 10.00 x 6.00	305 x 254 x 152	—	—	2.25	57	1.06	27	C-D-E-F-G
A12R126	A12R126NK	A	12.00 x 12.00 x 6.00	305 x 305 x 152	—	—	2.25	57	1.06	27	C-D-E-F-G
A15R126	A15R126NK	A	15.00 x 12.00 x 6.00	381 x 305 x 152	—	—	2.25	57	1.06	27	C-D-E-F-G
A16R126	A16R126NK	A	16.00 x 12.00 x 6.00	406 x 305 x 152	—	—	2.25	57	1.06	27	C-D-E-F-G
A18R126	A18R126NK	A	18.00 x 12.00 x 6.00	457 x 305 x 152	—	—	2.25	57	1.06	27	C-D-E-F-G
A18R186	A18R186NK	B	18.00 x 18.00 x 6.00	457 x 457 x 152	—	—	13.00	330	1.12	28	A-B-C-D-E-F-G-H-I
A24R126	—	B	24.00 x 12.00 x 6.00	610 x 305 x 152	—	—	13.00	330	1.12	28	C-D-E-F-G
A24R186	A24R186NK	B	24.00 x 18.00 x 6.00	610 x 457 x 152	—	—	13.00	330	1.12	28	A-B-C-D-E-F-G-H-I
A24R246	A24R246NK	B	24.00 x 24.00 x 6.00	610 x 610 x 152	—	—	13.00	330	1.12	28	A-B-C-D-E-F-G-H-I
A8R88	A8R88NK	A	8.00 x 8.00 x 8.00	203 x 203 x 203	—	—	2.25	1.06	1.06	27	F-G-H-I
—	A24R88NK	A	24.00 x 8.00 x 8.00	610 x 203 x 203	—	—	2.25	1.06	1.06	27	F-G-H-I
A12R128	A12R128NK	A	12.00 x 12.00 x 8.00	305 x 305 x 203	—	—	2.25	57	1.06	27	C-D-E-F-G

Hinged Cover Type 3R Small Enclosures



Features

- Drip-shield top and seam-free sides, front, and back
- Galvanized steel hinge has stainless steel pin
- Weldnuts provided for mounting optional panels

Construction

- 16 gauge galvanized steel
- Provisions for padlocking on zinc-plated draw pull catch
- Knockouts on bottom of enclosure
- No gasketing

Finish

ANSI 61 gray polyester powder paint finish inside and out over galvanized steel. Unless otherwise specified, all custom hinged cover Type 3R small enclosures are finished with ANSI 61 gray polyester powder paint. Optional solid panels are white and optional perforated panels are gray.

Industry Standards

UL 50, File No. E27567: Type 3R
NEMA/EEMAC Type 3R
cUL CSA C22.2 No. 94, File No. E27525: Type 3R
IEC 60529, IP32

Accessories

Corrosion Inhibitors
Grounding Device
Panels (see Table)
Touch-Up Paint (ATPPY61)

Application

Designed for use as a wiring and junction box. Enclosure provides protection in outdoor installations against rain, sleet, and snow or indoors against dripping water.

Standard Sizes Hinged Cover Type 3R Small Enclosures

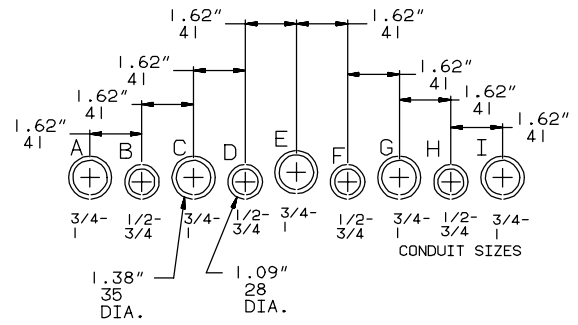
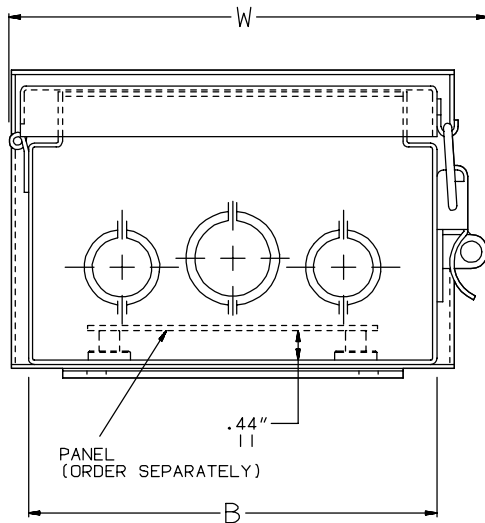
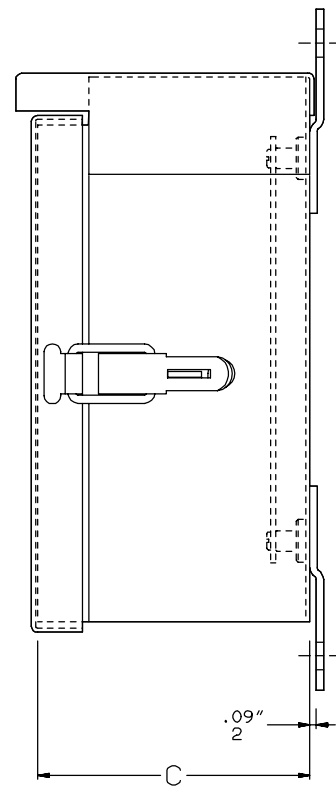
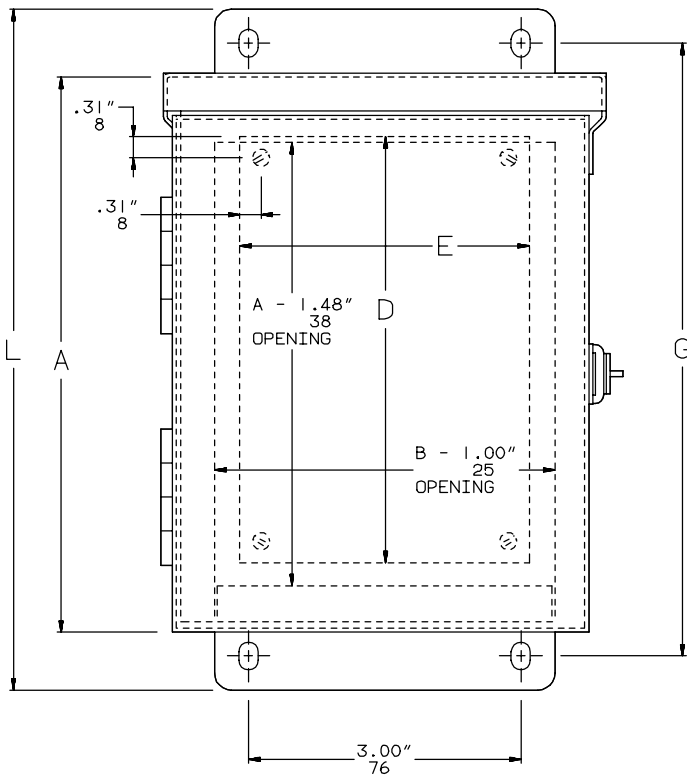
Catalog Number	Enclosure Size		Panel Catalog Number ^a	Perforated Panel Catalog No. ^b	Panel Size		Mounting		Overall		Knockout Pattern
	A x B x C				D x E		G		L x W		
	inch	mm			inch	mm	inch	mm	inch	mm	
A6R44HCR	6.00 x 4.00 x 4.00	152 x 102 x 102	A6N4P	A6N4PP	4.25 x 2.25	108 x 57	7.00	178	8.00 x 4.81	203 x 122	BCD
A6R64HCR	6.00 x 6.00 x 4.00	152 x 152 x 102	A6N6P	A6N6PP	4.25 x 4.25	108 x 108	7.00	178	8.00 x 6.81	203 x 173	BCD
A8R64HCR	8.00 x 6.00 x 4.00	203 x 152 x 102	A8N6P	A8N6PP	6.25 x 4.25	159 x 108	9.00	229	10.00 x 6.81	254 x 173	BCD
A8R86HCR	8.00 x 8.00 x 6.00	203 x 203 x 152	A8N8P	A8N8PP	6.25 x 6.25	159 x 159	9.00	229	10.00 x 8.81	254 x 224	FGHI
A10R86HCR	10.00 x 8.00 x 6.00	254 x 203 x 152	A10N8P	A10N8PP	8.25 x 6.25	210 x 159	11.00	279	12.00 x 8.81	305 x 224	FGHI
A12R106HCR	12.00 x 10.00 x 6.00	305 x 254 x 152	A12N10P	A12N10PP	10.25 x 8.25	260 x 210	13.00	330	14.00 x 10.81	356 x 275	CDEFG
A12R126HCR	12.00 x 12.00 x 6.00	305 x 305 x 152	A12N12P	A12N12PP	10.25 x 10.25	260 x 260	13.00	330	14.00 x 12.81	356 x 325	CDEFG
A12R1210HCR	12.00 x 12.00 x 10.00	305 x 305 x 254	A12N12P	A12N12PP	9.00 x 9.00	229 x 229	13.00	330	14.00 x 12.81	356 x 325	CDEFG

^a Purchase panels separately.

^b Purchase perforated panels separately. See page 14.

Hinged Cover Type 3R Small Enclosures

2



Knockout Pattern
(from outside of box)

C2577

NOTE: Refer to Table for applicable knockout pattern.

Hinged Cover Type 3R Medium Enclosures



Application

Designed for use as a wiring box and junction box. Enclosure provides protection in outdoor installations against rain, sleet, and snow or indoors against dripping water.

Features

- Drip-shield top and seam-free sides, front, and back protect from rain, snow, or sleet
- 16 gauge galvanized steel continuous hinge has stainless steel pin
- Cover fastened securely with captive plated steel screws
- Collar studs provided for mounting optional panels

Construction

- 16 or 14 gauge galvanized steel
- Hasp and staple provided for padlocking
- No gasketing or knockouts

Finish

ANSI 61 gray polyester powder paint finish inside and out over galvanized steel. Optional solid panels are white.

Industry Standards

UL 50, File No. E27567: Type 3R
NEMA/EEMAC Type 3R
cUL CSA C22.2 No. 94, File No. E27525: Type 3R
IEC 60529, IP32

Accessories

Corrosion Inhibitors
Electric Heater
Grounding Device
Lock Kit (Keylock) for Type 12
Panel Support Kit
Panels (see Table)
Rack Mounting Angle Kit
Terminal Kit Assembly
Touch-Up Paint (ATPPY61)
Window Kit

Standard Sizes Hinged Cover Type 3R Medium Enclosures

Catalog Number	Enclosure Size A x B x C		Panel Catalog Number ^a	Perforated Panel Catalog No. ^b	Panel Size D x E		Mounting G x H		Overall L	
	inch	mm			inch	mm	inch	mm	inch	mm
A16R126HCR	16.00 x 12.00 x 6.00	406 x 305 x 152	A16P12	A16P12PP	13.00 x 9.00	330 x 229	17.00 x 5.00	432 x 127	18.00	457
A16R166HCR	16.00 x 16.00 x 6.00	406 x 406 x 152	A16P16	A16P16PP	13.00 x 13.00	330 x 330	17.00 x 13.00	432 x 330	18.00	457
A18R186HCR	18.00 x 18.00 x 6.00	457 x 457 x 152	A18P18	A18P18PP	15.00 x 15.00	381 x 381	19.00 x 13.00	483 x 330	20.00	508
A20R166HCR	20.00 x 16.00 x 6.00	508 x 406 x 152	A20P16	A20P16PP	17.00 x 13.00	432 x 330	21.00 x 13.00	533 x 330	22.00	559
A20R208HCR	20.00 x 20.00 x 8.00	508 x 508 x 203	A20P20	A20P20PP	17.00 x 17.00	432 x 432	21.00 x 13.00	533 x 330	22.00	559
A24R208HCR	24.00 x 20.00 x 8.00	610 x 508 x 203	A24P20	A24P20PP	21.00 x 17.00	533 x 432	25.00 x 13.00	635 x 330	26.00	660
A24R248HCR	24.00 x 24.00 x 8.00	610 x 610 x 203	A24P24	A24P24PP ^c	21.00 x 21.00	533 x 533	25.00 x 13.00	635 x 330	26.00	660
A30R248HCR	30.00 x 24.00 x 8.00	762 x 610 x 203	A30P24	A30P24PP ^c	27.00 x 21.00	686 x 533	31.00 x 13.00	787 x 330	32.00	813
A30R308HCR	30.00 x 30.00 x 8.00	752 x 752 x 203	A30P30	A30P30PP ^c	27.00 x 27.00	686 x 686	31.00 x 27.00	787 x 686	32.00	813
A18R1810HCR	18.00 x 18.00 x 10.00	457 x 457 x 254	A18P18	A18P18PP	15.00 x 15.00	381 x 381	19.00 x 13.00	483 x 330	20.00	508
A24R2410HCR	24.00 x 24.00 x 10.00	610 x 610 x 254	A24P24	A24P24PP ^c	21.00 x 21.00	533 x 533	25.00 x 13.00	635 x 330	26.00	660
A30R2410HCR	30.00 x 24.00 x 10.00	762 x 610 x 254	A30P24	A30P24PP ^c	27.00 x 21.00	686 x 533	31.00 x 13.00	787 x 330	32.00	813
A36R3610HCR	36.00 x 36.00 x 10.00	914 x 914 x 254	A36P36	A36P36PP ^c	33.00 x 33.00	838 x 838	37.00 x 30.00	940 x 762	38.00	965
A30R3012HCR	30.00 x 30.00 x 12.00	762 x 762 x 305	A30P30	A30P30PP ^c	27.00 x 27.00	686 x 686	31.00 x 27.00	787 x 686	32.00	813
A36R2412HCR	36.00 x 24.00 x 12.00	914 x 610 x 305	A36P24	A36P24PP ^c	33.00 x 21.00	838 x 533	37.00 x 13.00	940 x 330	38.00	965

^a Purchase panels separately. Optional aluminum panels are available for most sizes. See Chapter 12, General Accessories, in the Specifier's Guide.

^b Purchase perforated panels separately. See page 7.15.

^c Flanged on all four sides.

Hinged Cover Type 3R Medium Enclosures

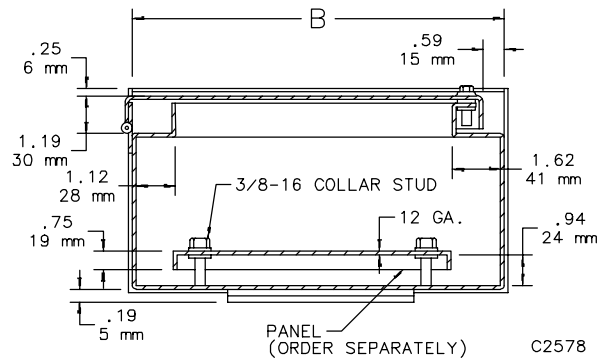
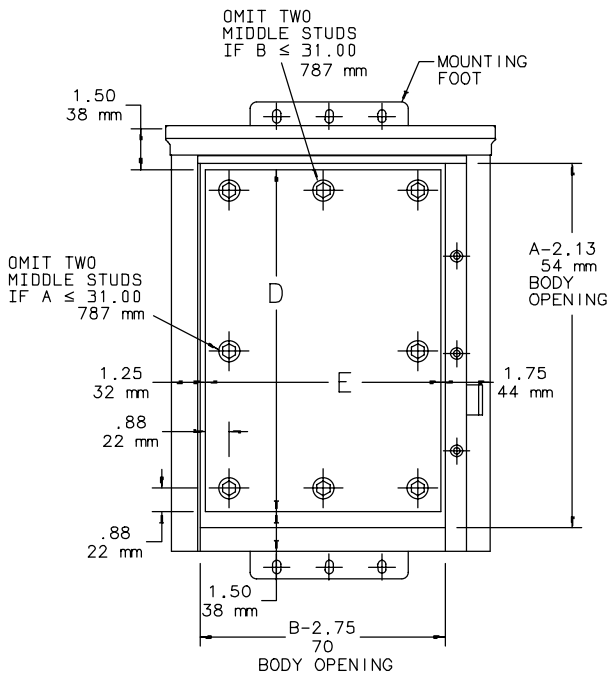
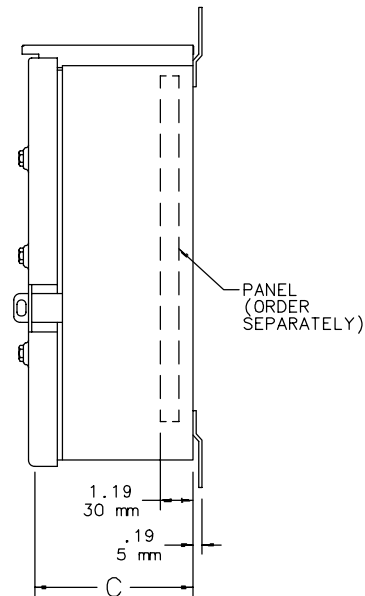
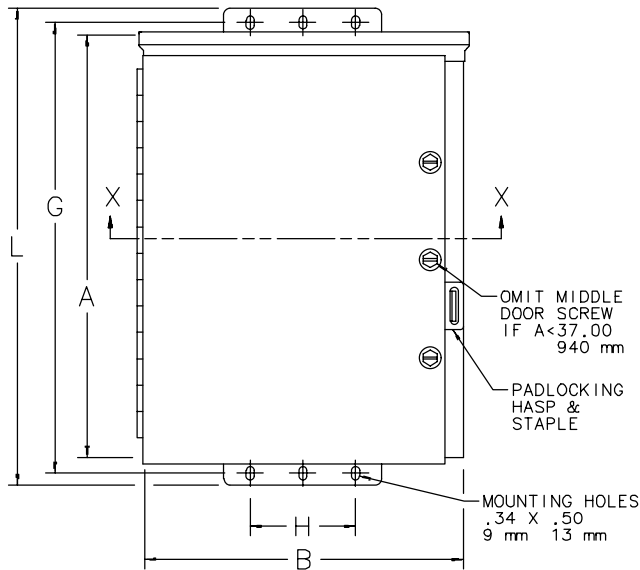
Standard Sizes Hinged Cover Type 3R Medium Enclosures (Cont.)

Catalog Number	Enclosure Size A x B x C		Panel Catalog Number ^a	Perforated Panel Catalog No. ^b	Panel Size D x E		Mounting G x H		Overall L	
	inch	mm			inch	mm	inch	mm	inch	mm
A36R3012HCR	36.00 x 30.00 x 12.00	914 x 914 x 305	A36P30	A36P30PP ^c	33.00 x 27.00	838 x 686	37.00 x 27.00	940 x 686	38.00	965
A42R3012HCR	42.00 x 30.00 x 12.00	1067 x 914 x 305	A42P30	—	39.00 x 27.00	991 x 686	43.00 x 27.00	1092 x 686	44.00	1118
A36R3612HCR	36.00 x 36.00 x 12.00	914 x 914 x 305	A36P36	A36P36PP ^c	33.00 x 33.00	838 x 838	37.00 x 27.00	940 x 686	38.00	965
A42R3612HCR	42.00 x 36.00 x 12.00	1067 x 914 x 305	A42P36	—	39.00 x 33.00	991 x 838	43.00 x 27.00	1092 x 686	44.00	1118
A48R3612HCR	48.00 x 36.00 x 12.00	1219 x 914 x 305	A48P36	—	45.00 x 33.00	1143 x 838	49.00 x 27.00	1245 x 686	50.00	1270
A60R3612HCR	60.00 x 36.00 x 12.00	1524 x 914 x 305	A60P36	—	57.00 x 33.00	1448 x 838	61.00 x 27.00	1549 x 686	62.00	1575
A30R3016HCR	30.00 x 30.00 x 16.00	762 x 762 x 406	A30P30	A30P30PP ^c	27.00 x 27.00	686 x 686	31.00 x 27.00	787 x 686	32.00	813
A48R3616HCR	48.00 x 36.00 x 16.00	1219 x 914 x 406	A48P36	—	45.00 x 33.00	1143 x 838	49.00 x 27.00	1245 x 686	50.00	1270

^a Purchase panels separately. Optional aluminum panels are available for most sizes. See Chapter 12, General Accessories, in the Specifier's Guide.

^b Purchase perforated panels separately. See page 7.15.

^c Flanged on all four sides.



SECTION X-X

Note: Panels have flanges along two sides when the side dimension is more than 21.00 inches (533mm). Panels A24P20 and A24P24 have flanges on all four sides.



Hinged Cover Lift-Off Type 3R Enclosures



Application

Designed for use as a wiring box and junction box. Enclosure provides protection in outdoor installations against rain, sleet, and snow or indoors against dripping water.

Features

- Drip-shield top and seam-free sides, front, and back
- Galvanized steel lift-off hinges with stainless steel pins

Construction

- 16 or 14 gauge galvanized steel
- 16 gauge cover fastened securely with draw pull catches
- Provisions for padlocking on each draw pull catch
- Embossed mounting holes on back of enclosure
- Gasketing along top of door
- No knockouts

Finish

ANSI 61 gray polyester powder paint finish inside and out over galvanized steel. Optional panels are white.

Industry Standards

UL 50, File No. E27567: Type 3R
NEMA/EEMAC Type 3R
CSA, LL42184: Type 3R
IEC 60529, IP32

Accessories

Corrosion Inhibitors
Electric Heater
Grounding Device
Mounting Bracket Kit (see Table)
Panel Mounting Kit (see Table)
Panel Support Kit
Panels (see Table)
Swing-Out Panel Kit
Terminal Kit Assembly
Touch-Up Paint (ATPPY61)
Window Kit

Standard Sizes Hinged Cover Lift-Off Type 3R Enclosures

Catalog Number	Enclosure Size A x B x C	Body Gauge	Panel Catalog Number ^a	Panel Size D x E	Mounting G	Overall L x W	Panel Mounting Kit ^b	Mounting Bracket Kit ^b	Gauge of Bracket	Overall Width of Bracket	Hole Spacing for Bracket
A8R64HCLO	8.00 x 6.00 x 4.00 (203 x 152 x 102)	16	A6P6	4.88 x 4.88 (124 x 124)	9.12 (232)	10.12 x 7.25 (257 x 184)	APMK3RL016	AMFK3RL016	14	5.00 (127)	4.00 (102)
A8R86HCLO	8.00 x 8.00 x 6.00 (203 x 203 x 152)	16	A8P6	6.75 x 4.88 (171 x 124)	9.12 (232)	10.12 x 9.25 (257 x 235)	APMK3RL016	AMFK3RL016	14	5.00 (127)	4.00 (102)
A10R86HCLO	10.00 x 8.00 x 6.00 (254 x 203 x 152)	16	A8P8	6.75 x 6.88 (171 x 175)	11.12 (282)	12.12 x 9.25 (308 x 235)	APMK3RL016	AMFK3RL016	14	5.00 (127)	4.00 (102)
A12R106HCLO	12.00 x 10.00 x 6.00 (305 x 254 x 152)	16	A10P10	8.75 x 8.88 (222 x 226)	13.12 (333)	14.12 x 11.25 (359 x 286)	APMK3RL016	AMFK3RL016	14	5.00 (127)	4.00 (102)
A12R126HCLO	12.00 x 12.00 x 6.00 (305 x 305 x 152)	16	A12P10	10.75 x 8.88 (273 x 226)	13.12 (333)	14.12 x 13.25 (359 x 337)	APMK3RL016	AMFK3RL016	14	5.00 (127)	4.00 (102)
A16R126HCLO	16.00 x 12.00 x 6.00 (406 x 305 x 152)	16	A14P12	12.75 x 10.88 (324 x 276)	17.12 (435)	18.12 x 13.25 (460 x 337)	APMK3RL016	AMFK3RL016	14	5.00 (127)	4.00 (102)
A16R166HCLO	16.00 x 16.00 x 6.00 (406 x 406 x 152)	16	A16P16	13.00 x 13.00 (330 x 330)	17.31 (440)	18.31 x 17.25 (465 x 438)	APMK3RL014	AMFK3RL014	12	14.00 (356)	13.00 (330)
A20R166HCLO	20.00 x 16.00 x 6.00 (508 x 406 x 152)	16	A20P16	17.00 x 13.00 (432 x 330)	21.31 (541)	22.31 x 17.25 (567 x 438)	APMK3RL014	AMFK3RL014	12	14.00 (356)	13.00 (330)
A20R208HCLO	20.00 x 20.00 x 8.00 (508 x 508 x 203)	14	A20P20	17.00 x 17.00 (432 x 432)	21.31 (541)	22.31 x 21.25 (567 x 540)	APMK3RL014	AMFK3RL014	12	14.00 (356)	13.00 (330)
A24R208HCLO	24.00 x 20.00 x 8.00 (610 x 508 x 203)	14	A24P20	21.00 x 17.00 (533 x 432)	25.31 (643)	26.31 x 21.25 (668 x 540)	APMK3RL014	AMFK3RL014	12	14.00 (356)	13.00 (330)
A24R248HCLO	24.00 x 24.00 x 8.00 (610 x 610 x 203)	14	A24P24	21.00 x 21.00 (533 x 533)	25.31 (643)	26.31 x 25.25 (668 x 641)	APMK3RL014	AMFK3RL014	12	14.00 (356)	13.00 (330)
A30R248HCLO	30.00 x 24.00 x 8.00 (762 x 610 x 203)	14	A30P24	27.00 x 21.00 (686 x 533)	31.31 (795)	32.31 x 25.25 (821 x 641)	APMK3RL014	AMFK3RL014	12	14.00 (356)	13.00 (330)

Millimeter dimensions are in ().

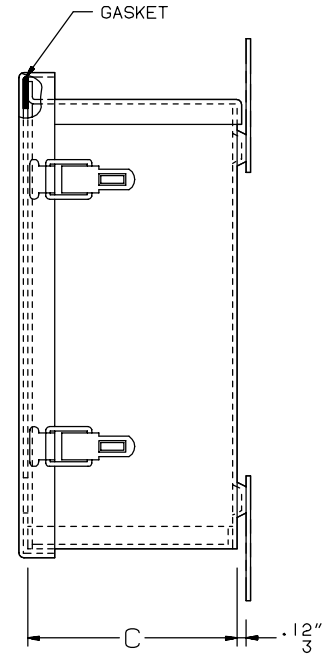
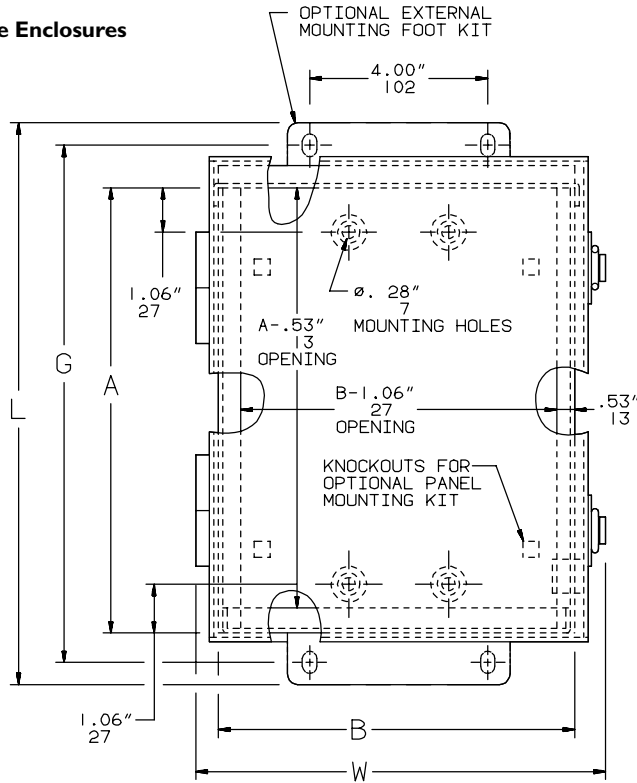
^a Purchase panels separately.

^b Panel Mounting Kit and Mounting Bracket Kit must be ordered separately. (A Panel Mounting Kit must be ordered to install panel.)

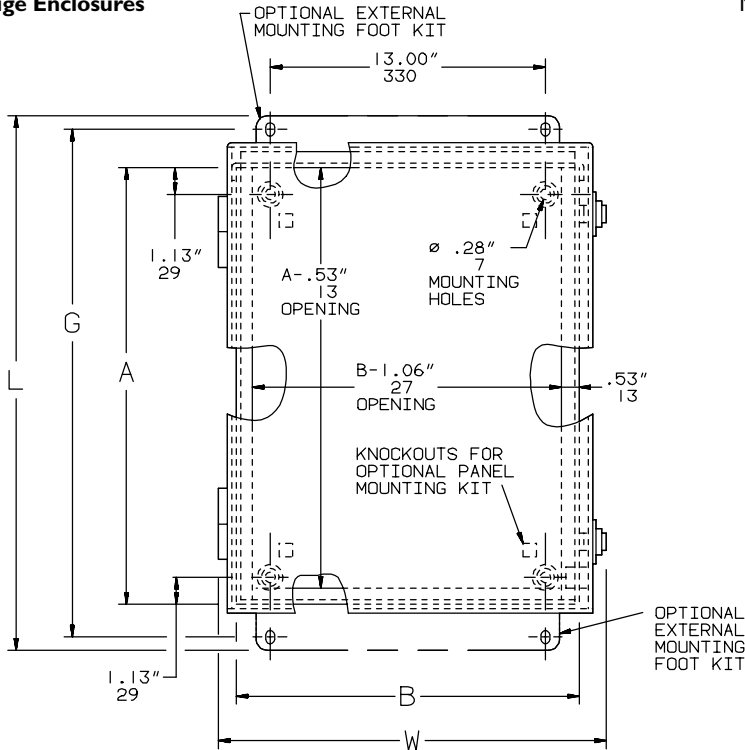
Hinged Cover Lift-Off Type 3R Enclosures

2

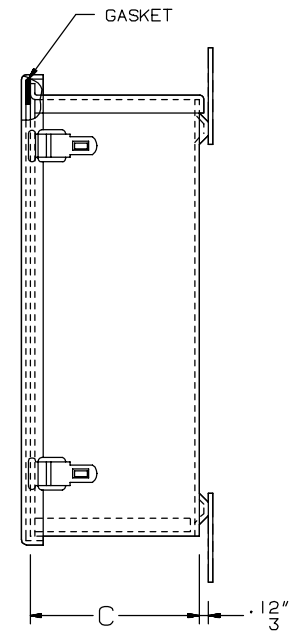
■ **16 Gauge Enclosures**



■ **14 Gauge Enclosures**



NOTE: Enclosures with A=8.00 have one latch.



C2579

Free-Standing Pad-Mount Type 3R Enclosures



Application

These large outdoor pad-mount Type 3R general-use enclosures meet outdoor commercial or industrial power distribution and control requirements. They are used to house controls, drives, power distribution components, and contactors.

Features

- 3-point latching system with heavy-duty handle provides secure, leak-resistant door closure
- Padlock provision in handle for convenient locking
- Open bottom with pre-punched mounting hole flange for convenient installation
- Drip edge overhang on top helps keep moisture out of enclosure
- Louvered overhang with a closure plate seals enclosure interior
- Insect screen, purchased separately, replaces closure plate to provide ventilation. Requires one for one-door and two for two-door enclosures.
- Light gray paint finish provides solar reflectance
- Studs included for mounting optional panels on threaded bolts

Construction

- Manufactured from 16, 14, or 12 gauge galvanized steel
- Seams continuously welded and ground smooth
- Sturdy 7 gauge lifting tabs
- Overlapping doors with no center post on two-door models
- Bonding provision on each door
- Bolted hinges on doors

Finish

RAL 7035 light gray polyester powder paint inside and outside. Optional panels are white.

Industry Standards

UL 508A, 508, File No. E61997: Type 3R
NEMA/EEMAC Type 3R
cUL/CSA C22.2 No. 94, File No. E61997: Type 3R
IEC 60529, IP55

Accessories

See Chapter 12, *General Accessories*, in the *Specifier's Guide* for additional accessories and page 29 for specifications of the accessories listed below.

Hinged Wall-Mount Panel
Fixed Wall-Mount Rack
Insect Screen
Fan Shroud Kits

Modification Services Program

You can customize this product to your unique requirements by specifying from these options:

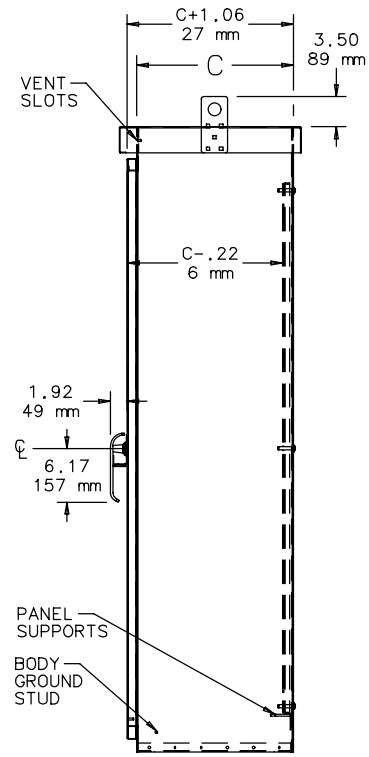
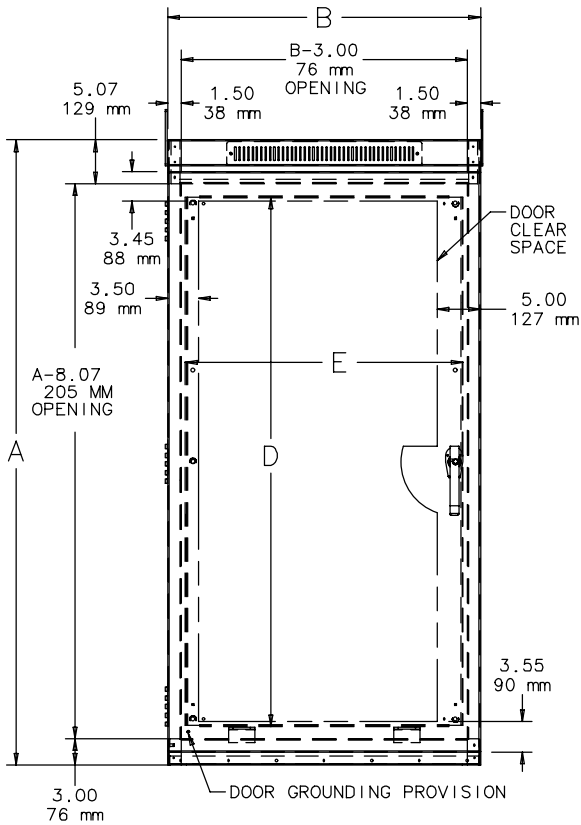
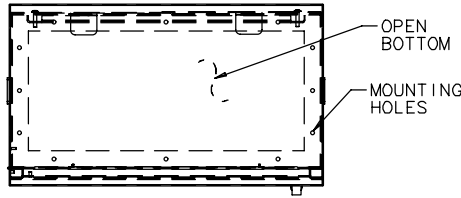
- Enclosure height, width, depth
- Over 100 standard finish colors and textures
- Holes and cutouts in body, doors, subpanels
- Tapped holes, fasteners in enclosure or subpanel
- Mounting
- Doors
- Environmental control (louvers, fans, filters)
- Windows
- Standard accessories

For details, see Modification Services at hoffmanonline.com. To order, contact your local Hoffman sales representative.

For information about modifications outside the scope of the Modification Services program, contact your Hoffman sales representative.

Free-Standing Pad-Mount Type 3R Enclosures

Single Door Enclosures



87789869

Standard Sizes Free-Standing Pad-Mount Type 3R Single Door Enclosures

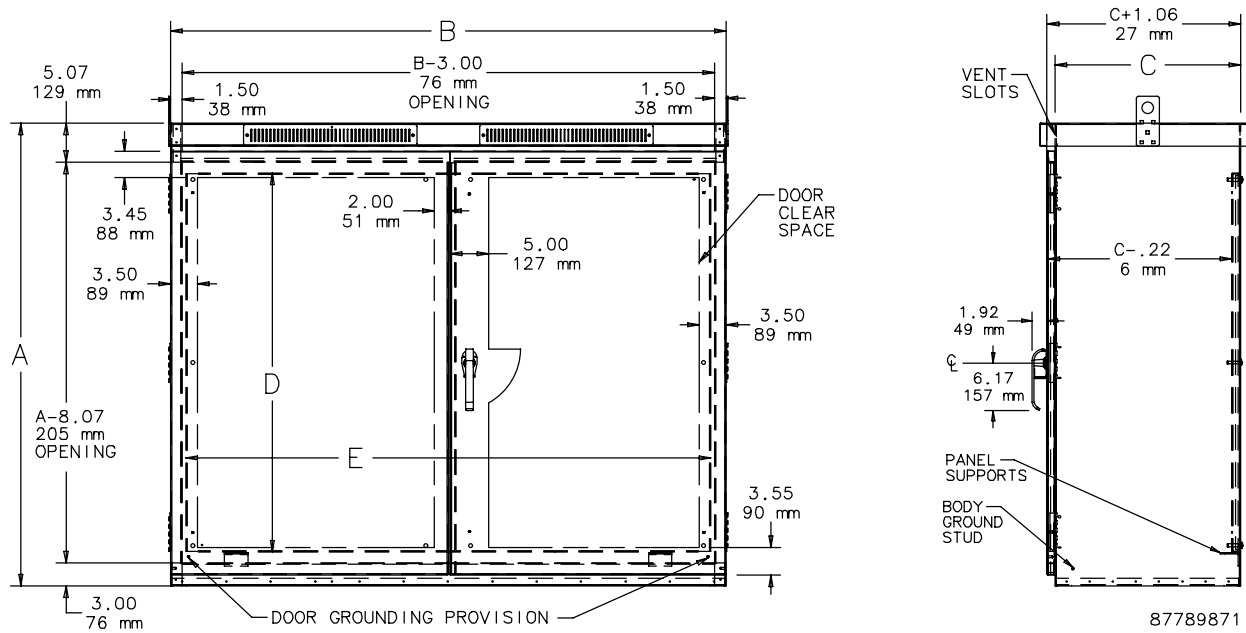
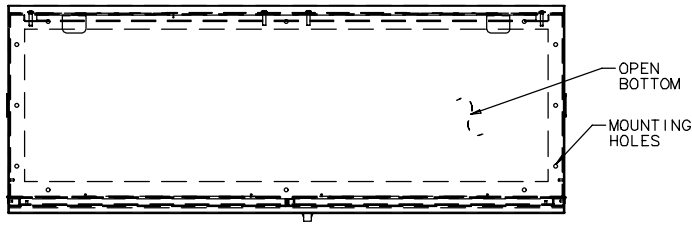
Catalog Number	Enclosure Size		A		B		C		Door Opening		F		G		Panel Catalog Number ^a	Panel Size		Width	
	inch	mm	inch	mm	inch	mm	inch	mm	inch	mm	inch	mm	inch	mm		inch	mm	inch	mm
A60R2518FSLP	60.00	1524	25.00	635	18.00	457	51.93	1319	22.00	559	A49P21N	49.16	1249	21.50	546				
A60R2524FSLP	60.00	1524	25.00	635	24.00	610	51.93	1319	22.00	559	A49P21N	49.16	1249	21.50	546				
A72R2518FSLP	72.00	1829	25.00	635	18.00	457	63.93	1624	22.00	559	A61P21N	61.16	1553	21.50	546				
A60R3618FSLP	60.00	1524	36.00	914	18.00	457	51.93	1319	33.00	838	A49P32N	49.16	1249	32.00	813				
A72R3618FSLP	72.00	1829	36.00	914	18.00	457	63.93	1624	33.00	838	A61P32N	61.16	1553	32.00	813				
A72R3624FSLP	72.00	1829	36.00	914	24.00	610	63.93	1624	33.00	838	A61P32N	61.16	1553	32.00	813				

^a Purchase panels separately.



Free-Standing Pad-Mount Type 3R Enclosures

Two-Door Enclosures



87789871

Standard Sizes Free-Standing Pad-Mount Type 3R Two-Door Enclosures

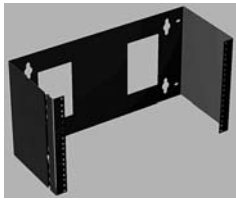
Catalog Number	Enclosure Size				Door Opening				Panel Catalog Number	Panel Size					
	A		B		C		F			Height		Width			
	inch	mm	inch	mm	inch	mm	inch	mm	inch	mm	inch	mm	inch	mm	
A60R5218FSLP	60.00	1524	52.00	1321	18.00	457	51.93	1319	49.00	1245	A49P48N	49.16	1249	48.00	1219
A60R5224F SLP	60.00	1524	52.00	1321	24.00	610	51.93	1319	49.00	1245	A49P48N	49.16	1249	48.00	1219
A60R7224FSLP	60.00	1524	72.00	1829	24.00	610	51.93	1319	69.00	1753	A49P68N	49.16	1249	68.00	1727
A72R7218FSLP	72.00	1829	72.00	1829	18.00	457	63.93	1624	69.00	1753	A61P68N	61.16	1553	68.00	1727
A72R7224FSLP	72.00	1829	72.00	1829	24.00	610	63.93	1624	69.00	1753	A61P68N	61.16	1553	68.00	1727

Free-Standing Pad-Mount Type 3R Enclosures

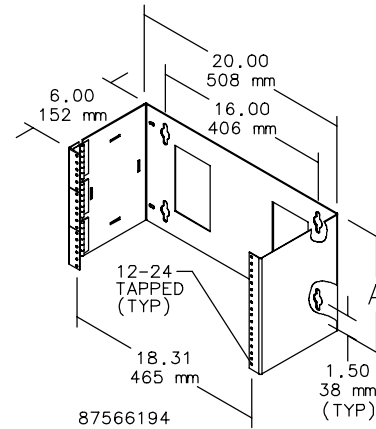


Accessories

19 inch Hinged Wall-Mount Panel



12 gauge steel. Heavy-duty hinges are welded to frame. Hinge provided for every two rack unit spacing for partial network installations. One rack unit model has half-size hinge. All units can be mounted with hinges on left or right side. Shipped fully assembled.

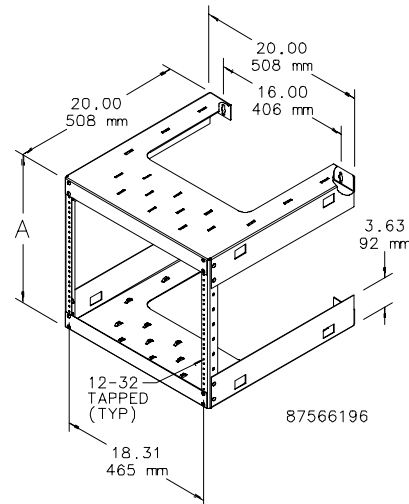


Catalog Number	A		Load Rating		No. Rack Units
	inch	mm	lb.	kg	
E19HPM1U	1.75	44	25	11.3	1
E19HPM2U	3.50	89	50	22.7	2
E19HPM4U	8.00	203	100	45.4	4
E19HPM6U	10.50	267	150	68.0	6
E19HPM8U	14.00	356	200	90.7	8

19 inch Fixed Wall-Mount Rack

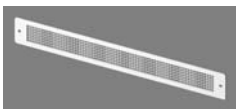


16 gauge steel. Low-cost solution for banks of small networking equipment. Integral Velcro™ cable tiedown slots facilitate cable routing. Shipped in four easy-to-assemble sections.



Catalog Number	A		Load Rating		No. Rack Units
	inch	mm	lb.	kg	
E19FWM12U20	23.00	584	150	68.0	12
E19FWM20U20	37.00	940	150	68.0	20
E19FWM25U20	45.75	1162	150	68.0	25
E19FWM32U20	58.00	1473	150	68.0	32

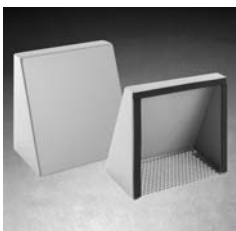
Insect Screen



Fastens over ventilation slot with two screws provided. Requires one for single-door enclosure and two for two-door enclosure

Catalog Number	Description	Requires
A3PMIS	Insect screen	One for one-door and two for two-door enclosure

Fan Shroud Kits



Fan shroud kits are available for outdoor enclosure applications requiring Type 3R protection from falling rain, sleet, and snow. Fan shroud kits include two fan shrouds, gasketing, and mounting hardware.

Catalog Number	Material	Height x Width	
		inch	mm
T4S3R	Steel	6.00 x 6.00	152 x 152
T6S3R	Steel	8.00 x 8.00	203 x 203
T10S3R	Steel	12.00 x 12.00	305 x 305
T4S3RSS	Stainless steel	6.00 x 6.00	152 x 152
T6S3RSS	Stainless steel	8.00 x 8.00	203 x 203
T10S3RSS	Stainless steel	12.00 x 12.00	305 x 305

^a Velcro is a trademark of Velcro Industries B.V.

Screw Cover Gasketed Boxes



Application

Designed for use as a wiring box, junction box, pull box, and terminal box in many indoor or outdoor applications where dust or moisture is a problem.

Features

- Captivated stainless steel cover screws thread into sealed wells
- Oil-resistant gasket and adhesive

Construction

- 14 or 12 gauge G-90 grade galvanized steel bodies
- 12 or 10 gauge G-90 grade galvanized steel covers
- Seams continuously welded and ground smooth
- No holes or knockouts
- Grounding stud on inside back of box

Finish

Cover has galvanized finish. Body finish is ANSI 61 gray polyester powder inside and out over galvanized steel.

Industry Standards

UL 508A, UL 508: Type 3 and 12
NEMA/EEMAC Type 3 and 12 (except for mounting provisions)
CSA: Type 4 and 12
IEC 60529, IP66

Accessories

- Corrosion Inhibitors
- Electric Heater
- Grounding Device
- Mounting Bracket Kit

Standard Sizes Screw Cover Gasketed Boxes

Catalog Number	Body Gauge	Cover Gauge	Box Size		Number of Cover Screws
			A x B x C inch	mm	
A664GSC	14	12	6.00 x 6.00 x 4.00	152 x 152 x 102	4
A864GSC	14	12	8.00 x 6.00 x 4.00	203 x 152 x 102	4
A884GSC	14	12	8.00 x 8.00 x 4.00	203 x 203 x 102	4
A1084GSC	14	12	10.00 x 8.00 x 4.00	254 x 203 x 102	6
A10104GSC	14	12	10.00 x 10.00 x 4.00	254 x 254 x 102	8
A12124GSC	14	12	12.00 x 12.00 x 4.00	305 x 305 x 102	8
A666GSC	14	12	6.00 x 6.00 x 6.00	152 x 152 x 152	4
A886GSC	14	12	8.00 x 8.00 x 6.00	203 x 203 x 152	4
A10106GSC	14	12	10.00 x 10.00 x 6.00	254 x 254 x 152	8
A12106GSC	14	12	12.00 x 10.00 x 6.00	305 x 254 x 152	8
A12126GSC	14	12	12.00 x 12.00 x 6.00	305 x 305 x 152	8
A16126GSC	14	12	16.00 x 12.00 x 6.00	406 x 305 x 152	8
A16166GSC	14	10	16.00 x 16.00 x 6.00	406 x 406 x 152	8
A18186GSC	14	10	18.00 x 18.00 x 6.00	457 x 457 x 152	8
A20166GSC	14	10	20.00 x 16.00 x 6.00	508 x 406 x 152	8
A24246GSC	14	10	24.00 x 24.00 x 6.00	610 x 610 x 152	12
A888GSC	14	12	8.00 x 8.00 x 8.00	152 x 152 x 203	4
A10108GSC	14	12	10.00 x 10.00 x 8.00	203 x 152 x 203	8
A12128GSC	14	12	12.00 x 12.00 x 8.00	203 x 203 x 203	8
A16168GSC	14	10	16.00 x 16.00 x 8.00	406 x 406 x 203	8
A20208GSC	14	10	20.00 x 20.00 x 8.00	508 x 508 x 203	8
A24208GSC	14	10	24.00 x 20.00 x 8.00	610 x 508 x 203	10
A24248GSC	14	10	24.00 x 24.00 x 8.00	610 x 610 x 203	12
A30248GSC	14	10	30.00 x 24.00 x 8.00	762 x 610 x 203	12
A242410GSC	14	10	24.00 x 24.00 x 10.00	610 x 610 x 254	12
A121212GSC	14	12	12.00 x 12.00 x 12.00	305 x 305 x 305	8

Screw Cover Gasketed Boxes

Standard Sizes Screw Cover Gasketed Boxes (Cont.)

Catalog Number	Body Gauge	Cover Gauge	Box Size A x B x C		Number of Cover Screws
			inch	mm	
A161612GSC	14	10	16.00 x 16.00 x 12.00	406 x 406 x 305	8
A202012GSC	14	10	20.00 x 20.00 x 12.00	508 x 508 x 305	8
A242412GSC	14	10	24.00 x 24.00 x 12.00	610 x 610 x 305	12
A303012GSC	12	10	30.00 x 30.00 x 12.00	762 x 762 x 305	12
A363612GSC	12	10	36.00 x 36.00 x 12.00	914 x 914 x 305	16



WIRING TROUGH



INDEX

Every electrical closet requires a trough to merge conductors from panel boards to individual conduits. Hoffman offers rain-tight Type 3R wiring trough for outdoor use and Type I wiring trough for indoor applications.

Hoffman's Type I wiring trough solution offers a prepackaged, labor-saving alternative to field assembly. Hoffman's Type 3R trough is found in many outdoor commercial service entrances. The Type 3R wiring trough is available in over 40 sizes: six cross-sections from 4 inches to 14 inches and lengths up to 10 feet. Hoffman's EconoTrough is a Type 3R basic design for outdoor use.

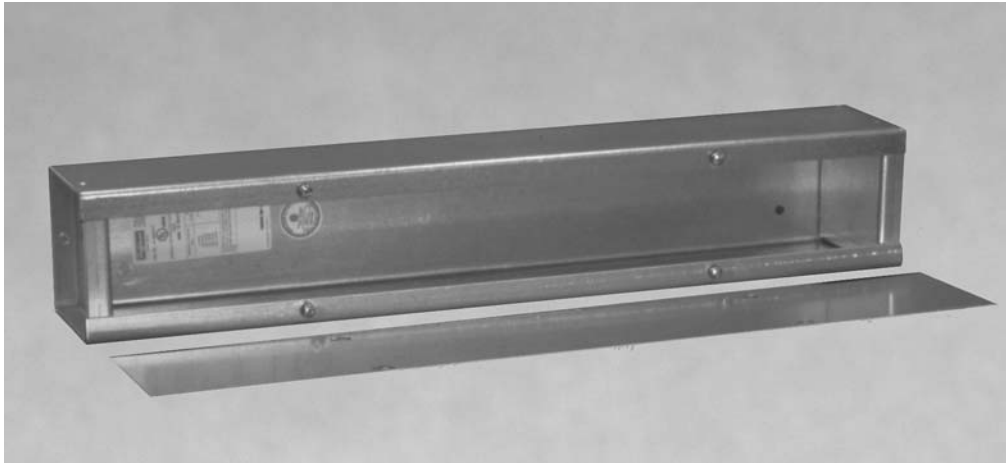
Type I Wiring Trough 78



Type 3R EconoTrough 82

Type 3R Wiring Trough 80

Type I Wiring Trough



Application

Designed to route and provide mechanical protection for power and lighting control cables. For use indoors in environments where dust, dirt, oil, and water are not serious problems.

Features

- A unique joining method securely fastens trough ends and body while protecting the galvanized finish
- Keyhole screw slots in the cover permit removal of the cover without removing the screws
- Shipped completely assembled—no end caps to install

Construction

- 16 or 14 gauge galvanized steel
- Available in sizes from 4 x 4 inch to 12 x 12 inch (102mm x 102mm to 305mm x 305mm)
- Mounting holes on the back of the enclosure
- Flat cover fastened with plated steel screws
- No gasketing or knockouts

Finish

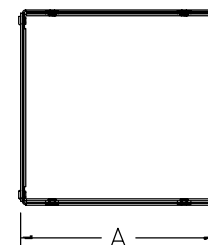
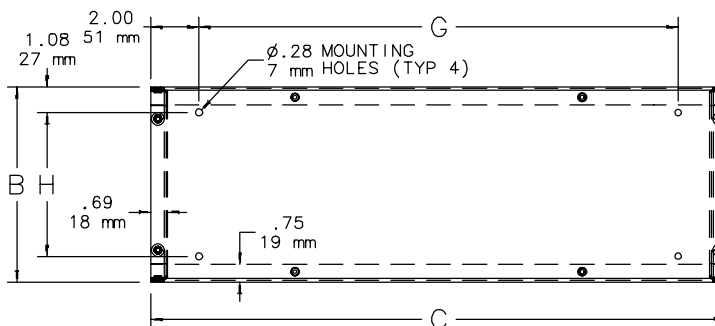
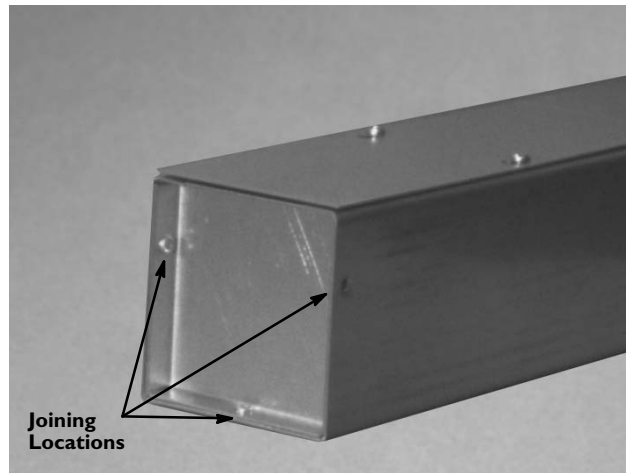
Unpainted galvanized steel

Industrial Standards

UL 870, File No. E27524
 NEMA/EEMAC Type I
 cUL CSA C22.2 No. 26, File No. E27524: Type I
 IEC 60529, IP30

Joining method provides superior corrosion resistance

This unique joining method mechanically locks components together without fasteners or heat. It produces an aesthetically pleasing, round button with strength comparable to joining processes such as welding and riveting. Because the protective coating flows with the material during joining, the anticorrosive properties of the joined materials are preserved.



87572058

Type I Wiring Trough

Standard Sizes Type I Wiring Trough

Catalog Number	Gauge	Trough Size						Mounting			
		A		B		C		G		H	
		inch	mm	inch	mm	inch	mm	inch	mm	inch	mm
A4412T1T	16	4.00	102	4.00	102	12.00	305	8.00	203	2.00	51
A4424T1T	16	4.00	102	4.00	102	24.00	610	20.00	508	2.00	51
A4436T1T	16	4.00	102	4.00	102	36.00	914	24.00	610	2.00	51
A4448T1T	16	4.00	102	4.00	102	48.00	1219	36.00	914	2.00	51
A4460T1T	16	4.00	102	4.00	102	60.00	1524	48.00	1219	2.00	51
A4472T1T	16	4.00	102	4.00	102	72.00	1829	60.00	1524	2.00	51
A4484T1T	16	4.00	102	4.00	102	84.00	2134	72.00	1829	2.00	51
A4496T1T	16	4.00	102	4.00	102	96.00	2438	84.00	2134	2.00	51
A6612T1T	16	6.00	152	6.00	152	12.00	305	8.00	203	4.00	102
A6624T1T	16	6.00	152	6.00	152	24.00	610	20.00	508	4.00	102
A6636T1T	16	6.00	152	6.00	152	36.00	914	24.00	610	4.00	102
A6648T1T	16	6.00	152	6.00	152	48.00	1219	36.00	914	4.00	102
A6660T1T	16	6.00	152	6.00	152	60.00	1524	48.00	1219	4.00	102
A6672T1T	16	6.00	152	6.00	152	72.00	1829	60.00	1524	4.00	102
A6684T1T	16	6.00	152	6.00	152	84.00	2134	72.00	1829	4.00	102
A6696T1T	16	6.00	152	6.00	152	96.00	2438	84.00	2134	4.00	102
A8824T1T	14	8.00	203	8.00	203	24.00	610	8.00	203	6.01	153
A8836T1T	14	8.00	203	8.00	203	36.00	914	20.00	508	6.01	153
A8848T1T	14	8.00	203	8.00	203	48.00	1219	36.00	914	6.01	153
A8860T1T	14	8.00	203	8.00	203	60.00	1524	48.00	1219	6.01	153
A8872T1T	14	8.00	203	8.00	203	72.00	1829	60.00	1524	6.01	153
A8884T1T	14	8.00	203	8.00	203	84.00	2134	72.00	1829	6.01	153
A8896T1T	14	8.00	203	8.00	203	96.00	2438	84.00	2134	6.01	153
A101024T1T	14	10.00	254	10.00	254	24.00	610	8.00	203	8.01	203
A101036T1T	14	10.00	254	10.00	254	36.00	914	20.00	508	8.01	203
A101048T1T	14	10.00	254	10.00	254	48.00	1219	36.00	914	8.01	203
A101060T1T	14	10.00	254	10.00	254	60.00	1524	48.00	1219	8.01	203
A101072T1T	14	10.00	254	10.00	254	72.00	1829	60.00	1524	8.01	203
A101096T1T	14	10.00	254	10.00	254	96.00	2438	84.00	2134	8.01	203
A1010120T1T	14	10.00	254	10.00	254	120.00	3048	108.00	2743	8.01	203
A121224T1T	14	12.00	305	12.00	305	24.00	610	8.00	203	10.01	254
A121236T1T	14	12.00	305	12.00	305	36.00	914	20.00	508	10.01	254
A121248T1T	14	12.00	305	12.00	305	48.00	1219	36.00	914	10.01	254
A121260T1T	14	12.00	305	12.00	305	60.00	1524	48.00	1219	10.01	254
A121272T1T	14	12.00	305	12.00	305	72.00	1829	60.00	1524	10.01	254
A121296T1T	14	12.00	305	12.00	305	96.00	2438	84.00	2134	10.01	254
A1212120T1T	14	12.00	305	12.00	305	120.00	3048	108.00	2743	10.01	254



See Technical Information, Appendix A, or www.hoffmanonline.com for Wireway Fill Table

Type 3R Wiring Trough



Application

Designed to protect wiring outdoors against rain, sleet, and snow or indoors against dripping water.

Features

- Drip-shield top and seam-free sides, front, and back protect from rain, snow, or sleet
- Slip-on removable cover fastened with captivated plated steel screws along bottom edge

Construction

- 16 or 14 gauge galvanized steel
- Embossed mounting holes on back of enclosure
- Provision for padlocking
- No gasketing or knockouts

Finish

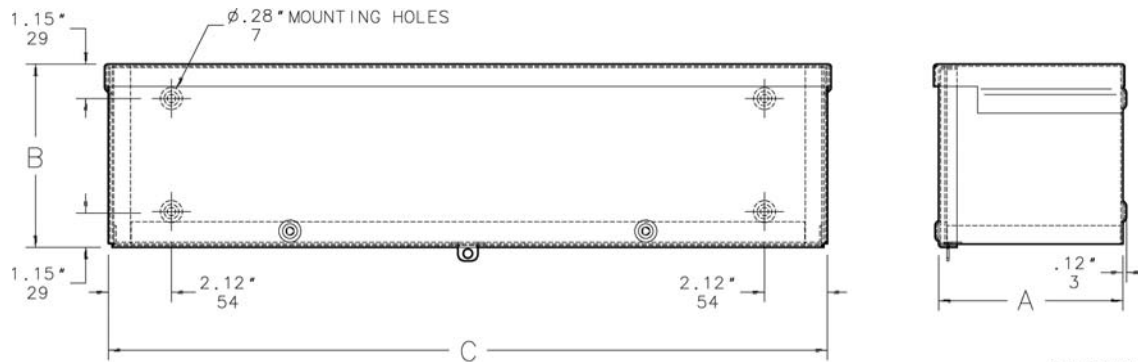
ANSI 61 gray polyester powder paint finish inside and out over phosphatized surfaces.

Industrial Standards

UL 870, File No. E27524
NEMA/EEMAC Type 3R
cUL CSA C22.2 No. 26, File No. E27524: Type 3R
IEC 60529, IP32

Accessories

Touch-Up Paint (ATPPY61)



Type 3R Wiring Trough

Standard Sizes Type 3R Wiring Trough

Catalog Number	Gauge	Trough Size A x B x C	
		inch	mm
A4412RT	16	4.00 x 4.00 x 12.00	102 x 102 x 305
A4424RT	16	4.00 x 4.00 x 24.00	102 x 102 x 610
A4436RT	16	4.00 x 4.00 x 36.00	102 x 102 x 914
A4448RT	16	4.00 x 4.00 x 48.00	102 x 102 x 1219
A4460RT	16	4.00 x 4.00 x 60.00	102 x 102 x 1524
A4472RT	16	4.00 x 4.00 x 72.00	102 x 102 x 1829
A6612RT	16	6.00 x 6.00 x 12.00	152 x 152 x 305
A6618RT	16	6.00 x 6.00 x 18.00	152 x 152 x 457
A6624RT	16	6.00 x 6.00 x 24.00	152 x 152 x 610
A6636RT	16	6.00 x 6.00 x 36.00	152 x 152 x 914
A6648RT	16	6.00 x 6.00 x 48.00	152 x 152 x 1219
A6660RT	16	6.00 x 6.00 x 60.00	152 x 152 x 1524
A6672RT	16	6.00 x 6.00 x 72.00	152 x 152 x 1829
A8812RT	14	8.00 x 8.00 x 12.00	203 x 203 x 305
A8824RT	14	8.00 x 8.00 x 24.00	203 x 203 x 610
A8836RT	14	8.00 x 8.00 x 36.00	203 x 203 x 914
A8848RT	14	8.00 x 8.00 x 48.00	203 x 203 x 1219
A8860RT	14	8.00 x 8.00 x 60.00	203 x 203 x 1524
A8872RT	14	8.00 x 8.00 x 72.00	203 x 203 x 1829
A8896RT	14	8.00 x 8.00 x 96.00	203 x 203 x 2438
A88116RT	14	8.00 x 8.00 x 116.00	203 x 203 x 2946
A101024RT	14	10.00 x 10.00 x 24.00	254 x 254 x 610
A101036RT	14	10.00 x 10.00 x 36.00	254 x 254 x 914
A101048RT	14	10.00 x 10.00 x 48.00	254 x 254 x 1219
A101060RT	14	10.00 x 10.00 x 60.00	254 x 254 x 1524
A101072RT	14	10.00 x 10.00 x 72.00	254 x 254 x 1829
A101096RT	14	10.00 x 10.00 x 72.00	254 x 254 x 1829
A1010116RT	14	10.00 x 10.00 x 116.00	254 x 254 x 2946
A121224RT	14	12.00 x 12.00 x 24.00	305 x 305 x 610
A121236RT	14	12.00 x 12.00 x 36.00	305 x 305 x 914
A121248RT	14	12.00 x 12.00 x 48.00	305 x 305 x 1219
A121260RT	14	12.00 x 12.00 x 60.00	305 x 305 x 1524
A121272RT	14	12.00 x 12.00 x 72.00	305 x 305 x 1829
A121284RT	14	12.00 x 12.00 x 84.00	305 x 305 x 2134
A121296RT	14	12.00 x 12.00 x 96.00	305 x 305 x 2438
A1212116RT	14	12.00 x 12.00 x 116.00	305 x 305 x 2946
A141448RT	14	14.00 X 14.00 X 48.00	356 x 356 x 1219
A141472RT	14	14.00 X 14.00 X 72.00	356 x 356 x 1829
A141484RT	14	14.00 X 14.00 X 84.00	356 x 356 x 2134
A141496RT	14	14.00 X 14.00 X 96.00	356 x 356 x 2438
A1414116RT	14	14.00 X 14.00 X 116.00	356 x 356 x 2946

See Technical Information, Appendix A, or
www.hoffmanonline.com for Wireway Fill Table

Type 3R EconoTrough



Finish

Galvanized steel

Industry Standards

UL 870, File No. E27524
NEMA/EEMAC Type 3R
cUL CSA C22.2 No. 26, File No. E27524: Type 3R
IEC 60529, IP 32

Accessory

Padlock Hasp Kit (see page 83)

Application

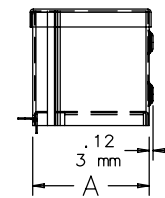
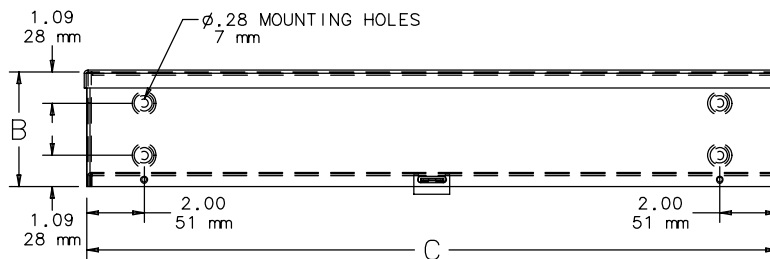
Designed to provide an economical solution for protecting wiring either outdoors against rain, sleet, and snow or indoors against dripping water.

Features

- Drip-shield top covers sides, front and back to protect from rain, snow, or sleet
- Removable cover fastened with plated steel screws along bottom edge

Construction

- 16 gauge or 14 gauge galvanized steel
- Embossed mounting holes on back of enclosure
- Provision for utility seal
- No gasketing or knockouts
- Padlock Hasp Kit available



87783080

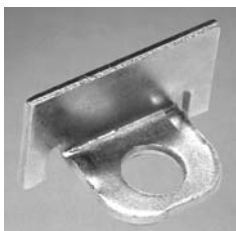
Type 3R EconoTrough

Standard Sizes Type 3R Econo Trough Wiring Trough

Catalog Number	Gauge	Trough Size		A		B		C	
		inch	mm	inch	mm	inch	mm		
F4412RTGV	16	4.00	102	4.00	102	12.00	305		
F4424RTGV	16	4.00	102	4.00	102	24.00	610		
F4436RTGV	16	4.00	102	4.00	102	36.00	914		
F4448RTGV	16	4.00	102	4.00	102	48.00	1219		
F4460RTGV	16	4.00	102	4.00	102	60.00	1524		
F4472RTGV	16	4.00	102	4.00	102	72.00	1829		
F6612RTGV	16	6.00	152	6.00	152	12.00	305		
F6618RTGV	16	6.00	152	6.00	152	18.00			
F6624RTGV	16	6.00	152	6.00	152	24.00	610		
F6636RTGV	16	6.00	152	6.00	152	36.00	914		
F6648RTGV	16	6.00	152	6.00	152	48.00	1219		
F6660RTGV	16	6.00	152	6.00	152	60.00	1524		
F6672RTGV	16	6.00	152	6.00	152	72.00	1829		
F8812RTGV	14	8.00	203	8.00	203	12.00	305		
F8824RTGV	14	8.00	203	8.00	203	24.00	610		
F8836RTGV	14	8.00	203	8.00	203	36.00	914		
FF8848RTGV	14	8.00	203	8.00	203	48.00	1219		
F8860RTGV	14	8.00	203	8.00	203	60.00	1524		
F8872RTGV	14	8.00	203	8.00	203	72.00	1829		
F8896RTGV	14	8.00	203	8.00	203	96.00	2438		
F88116RTGV	14	8.00	203	8.00	203	120.00	3048		
F101024RTGV	14	10.00	254	10.00	254	24.00	610		
F101036RTGV	14	10.00	254	10.00	254	36.00	914		
F101048RTGV	14	10.00	254	10.00	254	48.00	1219		
F101060RTGV	14	10.00	254	10.00	254	60.00	1524		
F101072RTGV	14	10.00	254	10.00	254	72.00	1829		
F101096RTGV	14	10.00	254	10.00	254	96.00	2438		
F1010116RTGV	14	10.00	254	10.00	254	116.00	2946		
F121224RTGV	14	12.00	305	12.00	305	24.00	610		
F121236RTGV	14	12.00	305	12.00	305	36.00	914		
F121248RTGV	14	12.00	305	12.00	305	48.00	1219		
F121260RTGV	14	12.00	305	12.00	305	60.00	1524		
F121272RTGV	14	12.00	305	12.00	305	72.00	1829		
F121284RTGV	14	12.00	305	12.00	305	84.00	2134		
F121296RTGV	14	12.00	305	12.00	305	96.00	2438		
F1212116RTGV	14	12.00	305	12.00	305	116.00	2946		
F141448RTGV	14	14.00	356	14.00	356	48.00	1219		
F141472RTGV	14	14.00	356	14.00	356	72.00	1829		
F141484RTGV	14	14.00	356	14.00	356	84.00	2134		
F141496RTGV	14	14.00	356	14.00	356	96.00	2438		
F1414116RTGV	14	14.00	356	14.00	356	116.00	2946		

Accessory

Padlock Hasp Kit



Provides a means to padlock Type 3R trough. Includes mounting screws.

Catalog Number	Description	Kit Qty.
APLK3R	Padlock Hasp Kit	1

