

# COOPER Crouse-Hinds Molded Products

**NEW!**

## CAM-LOK<sup>®</sup> NEMA 3R RECEPTACLE COVERS



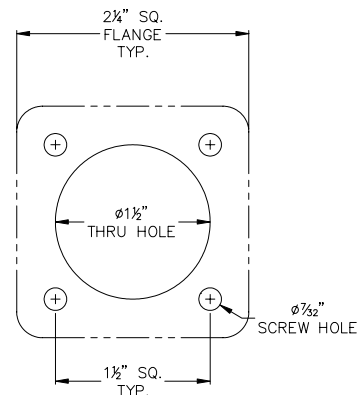
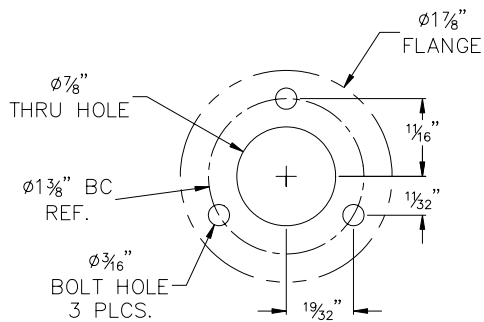
### FEATURES

- ▶ NEMA 3R RATED ENVIRONMENTAL SEAL
- ▶ ALL STAINLESS STEEL HARDWARE
- ▶ HIGH IMPACT RESISTANT THERMOPLASTIC COVERS AND BODIES
- ▶ MANY COLOR OPTIONS TO CHOOSE FROM

### ORDERING INFORMATION

COLOR	E1015 SERIES	E1016 SERIES
BLACK	E1015SC-32	E1016SC-32
RED	E1015SC-36	E1016SC-36
GREEN	E1015SC-35	E1016SC-35
WHITE	E1015SC-38	E1016SC-38
BLUE	E1015SC-34	E1016SC-34
YELLOW	E1015SC-37	E1016SC-37
ORANGE	E1015SC-39	E1016SC-39
BROWN	E1015SC-31	E1016SC-31
GRAY	E1015SC-33	E1016SC-33

USE WITH ANY CAM-LOK J-POWER E-1015 & E1016 SERIES RECEPTACLES



Maximum panel thickness 3/16" [4.75mm]

PATENT PENDING

Socket Head Screw Size

-E1016 #10, Max. Head Dia. .390"

-E1015 #8, Max. Head Dia. .320"

Cooper Crouse-Hinds Molded Products, 4758 Washington Street, LaGrange, NC 28551

Ph. 252 566-3014

Fax 252 566-9337

www.crouse-hinds.com