

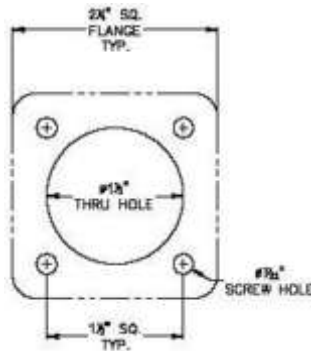
# Micro Switch Activated Panel Mount Receptacles

*For Added Safety!*

**NEW!**



**NEW!**



## Female Receptacle with Safety Interlock Switch –

The switch can be connected in series with the controller so that main power is activated only when Male connector is connected to Female receptacle.

- Insure all Phases are connected in three phase applications
- Insure Ground/Neutral connection in all applications

Cable Size	250 Volt Application Complete Part No.	Color
------------	--	-------

4 – 4/0	E1016-2255	Black
	E1016-2257	Red
	E1016-2259	Green
	E1016-2260	White
	E1016-2293	Blue

*Rated for 360 Amps*

E1016 Series Available Now

E1017 Series Available August 2005