

E1016 "J" Power Panel Mounts

Crouse-Hinds Cam-Lok E1016 J Power male and female panel mount receptacles with longer threaded stud. The threaded stud measures 1 1/8" long. Male receptacle features a shorter body to match standard female length.

Product Features:

- Meets 1993 National Electrical Code standards
- UL Listed and CSA Certified
- Inter-mateable with existing "J" Power E1016 products
- 400 amp maximum rating
- Exclusive Cam-Lok action for high conductivity
- Color coded insulation to provide fast, easy phase identification

Technical Specifications:

Base Compound: TPE (Santoprene)
 Contact Material: Machined Brass
 Voltage Rating: 600 volt maximum
 Current Rating: 400 amp maximum
 Temperature Rating: -20° C to 105° C
 Protection: NEMA 3R

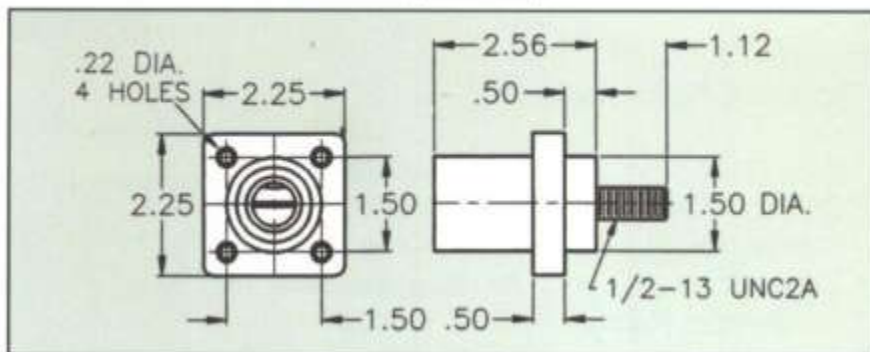


Part Number Matrix:

Panel Mount Dimensions: (in inches)

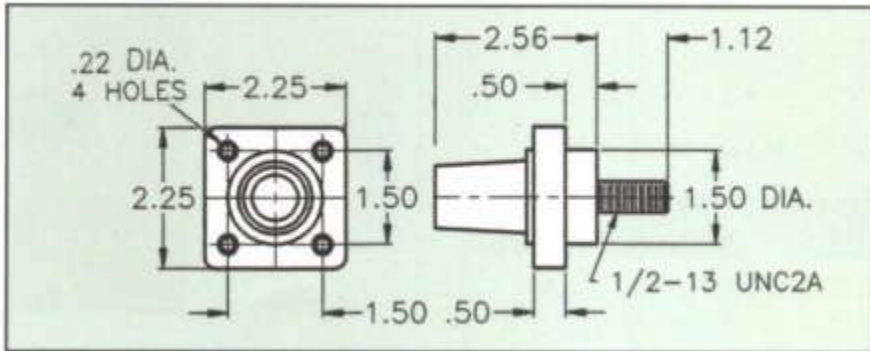
MALE

Part Number	Color
E1016-1600S	Black
E1016-1601S	Yellow
E1016-1602S	Red
E1016-1603S	Orange
E1016-1604S	Green
E1016-1605S	White
E1016-1612S	Blue
E1016-1619S	Brown



FEMALE

Part Number	Color
E1016-1631S	Black
E1016-1632S	Yellow
E1016-1633S	Red
E1016-1634S	Orange
E1016-1635S	Green
E1016-1636S	White
E1016-1643S	Blue
E1016-1687S	Brown



www.camlok.com

1-800-CAM-LOKS
 (1-800-226-5657)
 Phone: (225) 654-0929
 Fax: (225) 654-6061
 E-mail: jcustomsupply@bellsouth.net

J Custom Supply Inc

J Custom Supply, Inc.

6142 Hwy 19
 P.O. Box 678
 Zachary, LA 70791