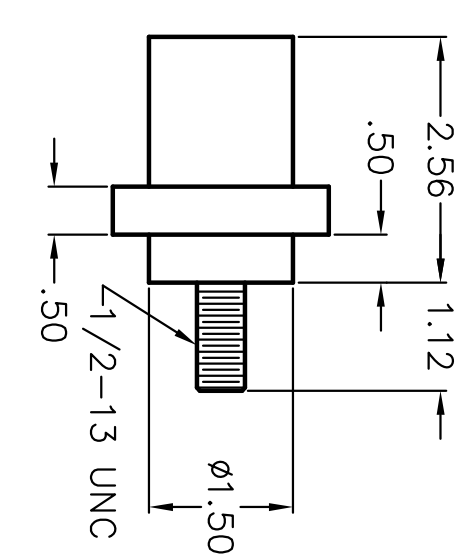
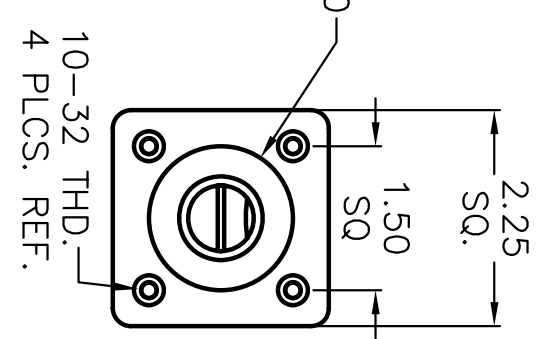
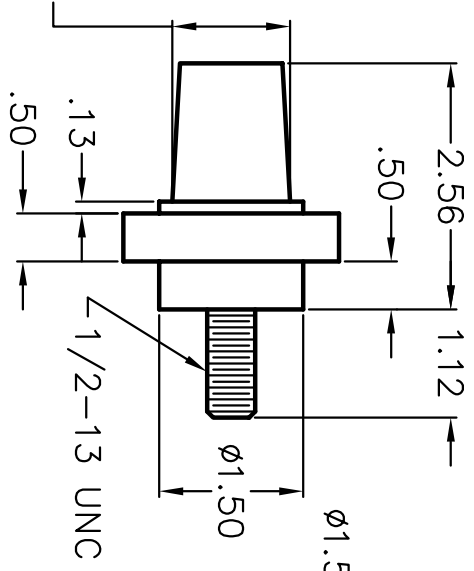
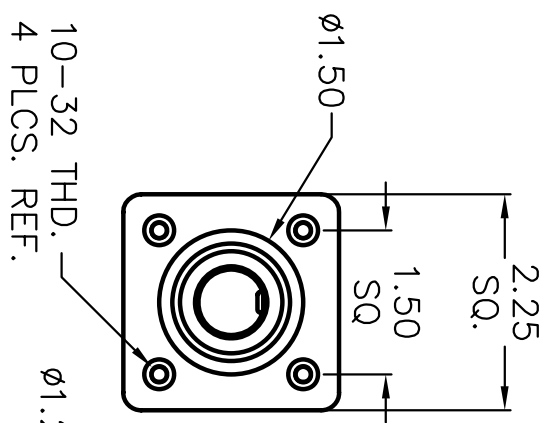


REVISIONS

REVISIONS	UNLESS OTHERWISE SPECIFIED:	FRACTIONS $\pm 1/64"$	DECIMALS,
		ANGLES $\pm 1/2^\circ$	1 PLC. = $\pm 0.030$
			2 PLC. = $\pm 0.015$
			3 PLC. = $\pm 0.005$

RECEIVED  
 JUL 20 2005  
 1M 0V3RHL 91013



E1016 FEMALE RECEPTACLE  
 E1016-1631ST TYPICAL

E1016 MALE RECEPTACLE  
 E1016-1600ST TYPICAL

**COOPER**  
 Crouse-Hinds Molded Products

THIS DOCUMENT CONTAINS CONFIDENTIAL AND TRADE SECRET INFORMATION WHICH IS THE PROPERTY OF COOPER INDUSTRIES, INC. ANY REPRODUCTION OR USE OF THIS DOCUMENT OR INFORMATION CONTAINED HEREIN WITHOUT THE EXPRESS WRITTEN PERMISSION OF COOPER INDUSTRIES, INC. IS PROHIBITED. THIS DOCUMENT IS TO BE RETURNED TO COOPER INDUSTRIES, INC. UPON REQUEST AND IN ALL EVENTS UPON COMPLETION OF THE PURPOSE FOR WHICH IT IS LOANED.

TITLE: E1016 RECEPTACLE, THREADED MOUNTING EXTENDED THREADED STUD CONNECTION

SIMILAR TO/REPLACES: DR: CCS 4/14/05

DRAWING SIZE: A CK.

ACAD USER: ACAD FILE: E1016 THREAD MT EXTENDED STUD RECEPTACLE

SCALE: NONE

DWG. NO.: E1016 THREAD MT EXTENDED STUD RECEPTACLE

SHT: OF