

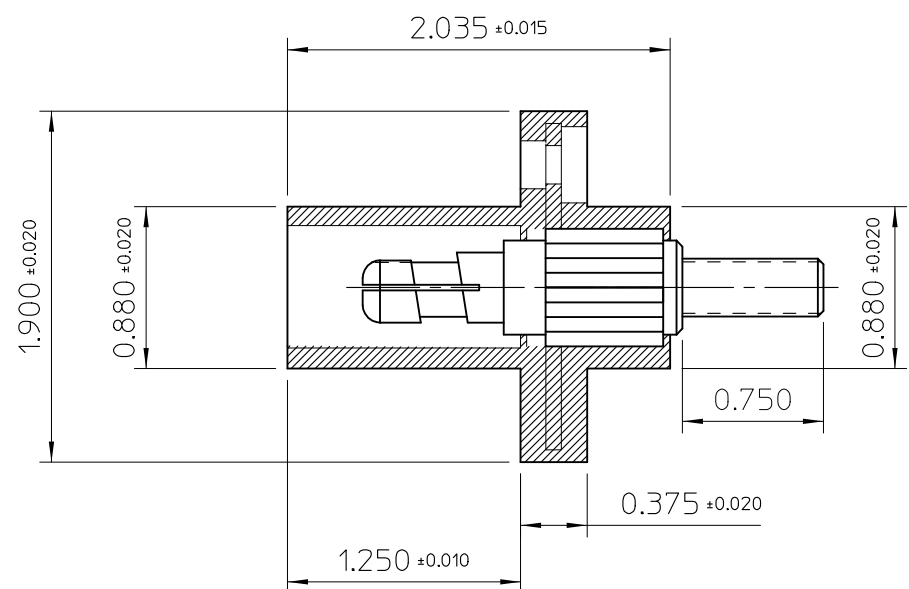
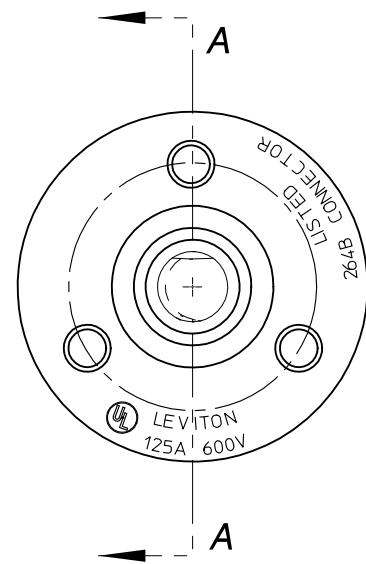
CATSTD_15RXX_000

REV

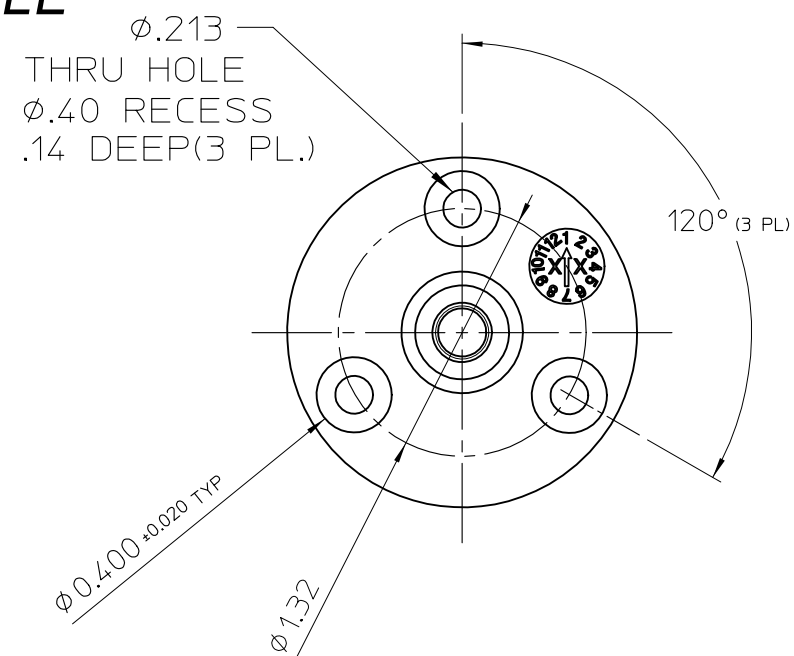
DIMENSIONAL TOLERANCES UNLESS OTHERWISE SPECIFIED

INCH		ANGLES	METRIC	
.XX = ±.010	.XXX = ±.005	±1/2°	.X = ±.2 mm	.XX = ±.1 mm

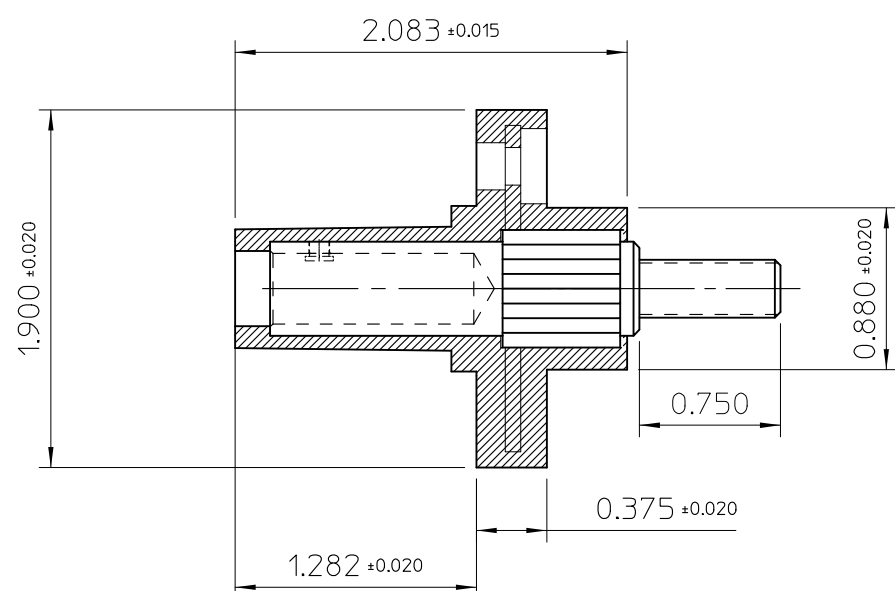
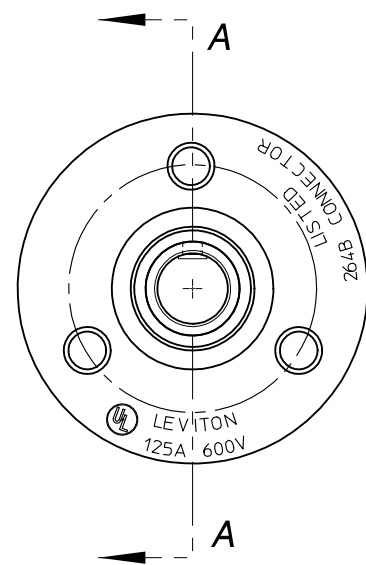
15 SERIES MALE PANEL RECEPTACLE



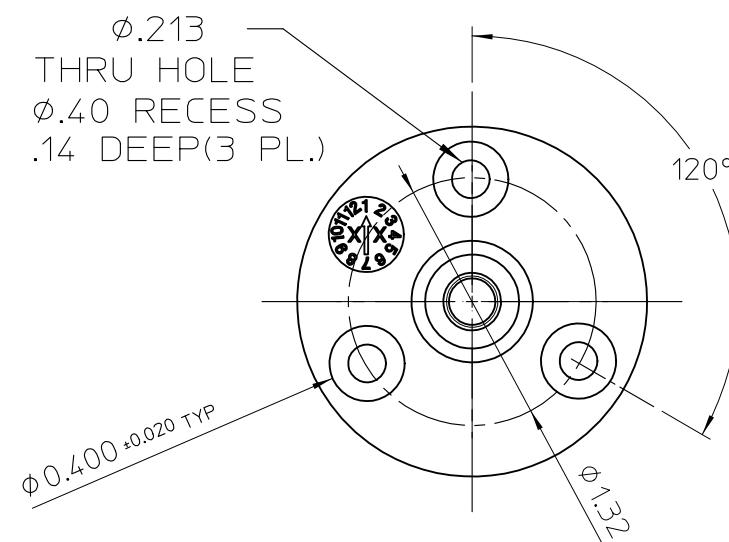
SECTION A-A



15 SERIES FEMALE PANEL RECEPTACLE



SECTION A-A



REV	DATE	DESCRIP. / E.C.N. #	CHG'D	APP'D

The information in this document is the exclusive PROPRIETARY property of LEVITON MANUFACTURING COMPANY, INC. It is disclosed with the understanding that acceptance or review by the recipient constitutes an undertaking by the recipient; (1) to hold this information in strict confidence, and (2) not to disclose, duplicate, copy, or use the information, in whole or in part, for any purpose other than that for which disclosed.

Copyright © COPYRIGHT Leviton Mfg. Co. Inc. Unpublished. All Rights Reserved.

LEVITON MANUFACTURING COMPANY

15R21, 15R22
OVERALL DIMENSIONS

DRAWN	ATD	CR8_D8	REDR'N	
APPR'D				
REL'D				OLD DWG.
REF. CAT.			SCALE	SCALE B SIZE
PROJ.			STATUS	
CATSTD_15RXX_000			REV	SHEET